

ecomac Gebrauchtmachines GmbH
Berliner Strasse 31
93073 Neutraubling
Germany
Phone: +49 (0) 94 01 - 93 05-0
Fax: +49 (0) 94 01 - 93 05-20
E-mail: sales@ecomac.de

ecomac
GEBRAUCHTMASCHINEN

Neutraubling, 2021-10-26

Used flavour dosing system # 101347

Number	101347
Product	Krones
Model	Contiflow 15/2
Performance	5,0 -15,0 l/h at mixing ration 1:1000
Equipment	Flavour dosing for water dissolving flavours
Year	2018
Delivery	promptly
Product	Still flavoured water
Mixing ration	1 l concentrate / 1000 l finished product
Dosing capacity	Maximum 15,0 l/h dosing accuracy 1 Sigma = 1% of recipe value
Product-contacting parts	Rust-proof stainless steel
Execution	2 dosing pumps Conductimetry product discharge, sampling valves Gas sterile filter without steam connection, valve design flap valves CIP valve control automatic 15" colour display with ZenOn
Operation	
Voltage	230/400 V
Frequency	50 Hz
Control unit	Siemens S7 300



Subject to prior sale – without engagement

Berliner Strasse 31
93073 Neutraubling
Germany
Phone: +49 (0) 94 01 - 93 05-0
Fax: +49 (0) 94 01 - 93 05-20
E-mail: sales@ecomac.de

Managing Director
Ludwig Stierstorfer

Sparkasse Neutraubling
Account 30912406
BLZ 75050000
BIC BYLADEM1RBG
IBAN DE13750500000030912406

Commerzbank Regensburg
Account 6005870
BLZ 75040062
BIC COBADEFF750
IBAN DE36750400620600587000

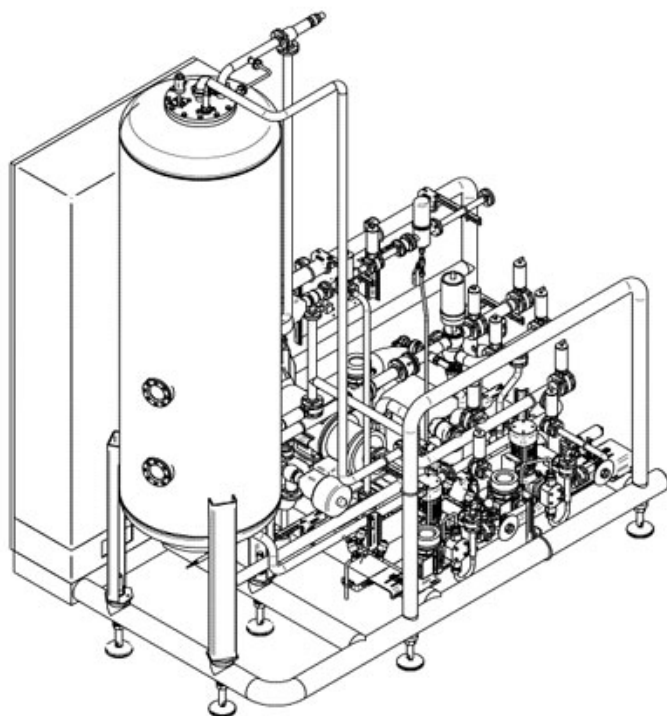
Expressbahnhof
93047 Regensburg
Airfreight Nürnberg

Registered office Neutraubling
Registration Court
Regensburg HRB 5134

ecomac Gebrauchtmachines GmbH
Berliner Strasse 31
93073 Neutraubling
Germany
Phone: +49 (0) 94 01 - 93 05-0
Fax: +49 (0) 94 01 - 93 05-20
E-mail: sales@ecomac.de

ecomac
GEBRAUCHTMASCHINEN

Neutraubling, 2021-10-26



Subject to prior sale – without engagement

Berliner Strasse 31
93073 Neutraubling
Germany
Phone: +49 (0) 94 01 - 93 05-0
Fax: +49 (0) 94 01 - 93 05-20
E-mail: sales@ecomac.de

Managing Director
Ludwig Stierstorfer

Sparkasse Neutraubling
Account 30912406
BLZ 75050000
BIC BYLADEM1RBG
IBAN DE1375050000030912406

Commerzbank Regensburg
Account 6005870
BLZ 75040062
BIC COBADEFF750
IBAN DE36750400620600587000

Expressbahnhof
93047 Regensburg
Airfreight Nürnberg

Registered office Neutraubling
Registration Court
Regensburg HRB 5134